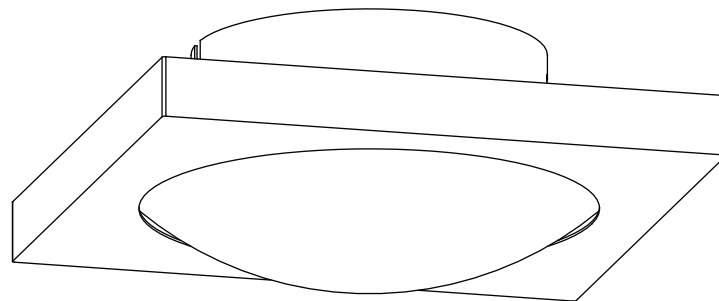


Contemporary Lighting™

PRODUCT NAME: Piccolo LED 1-Light LED Flush/Wall Mount
ITEM NUMBER: E53830

Please consult your electrician for hanging fixture and wiring.



The fixture is designed to dim with a standard Triac forward phase dimmer. Dimming levels will vary by dimmer.

Below is a List of Recommended dimmers:

.Lutron MACL-153M

.Lutron DVL-153P

.Lutron SCL-153P

.Leviton IPL06-10Z

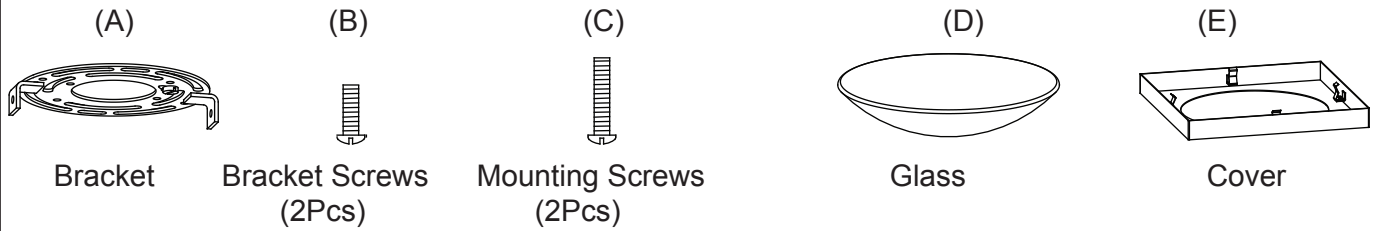
.Leviton 6674-POW

Due to inrush current wattage should not exceed 150 watts of product for a 600 watt dimmer.

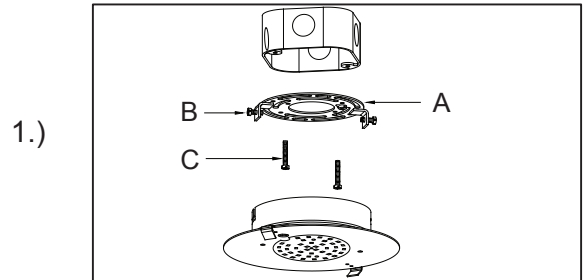
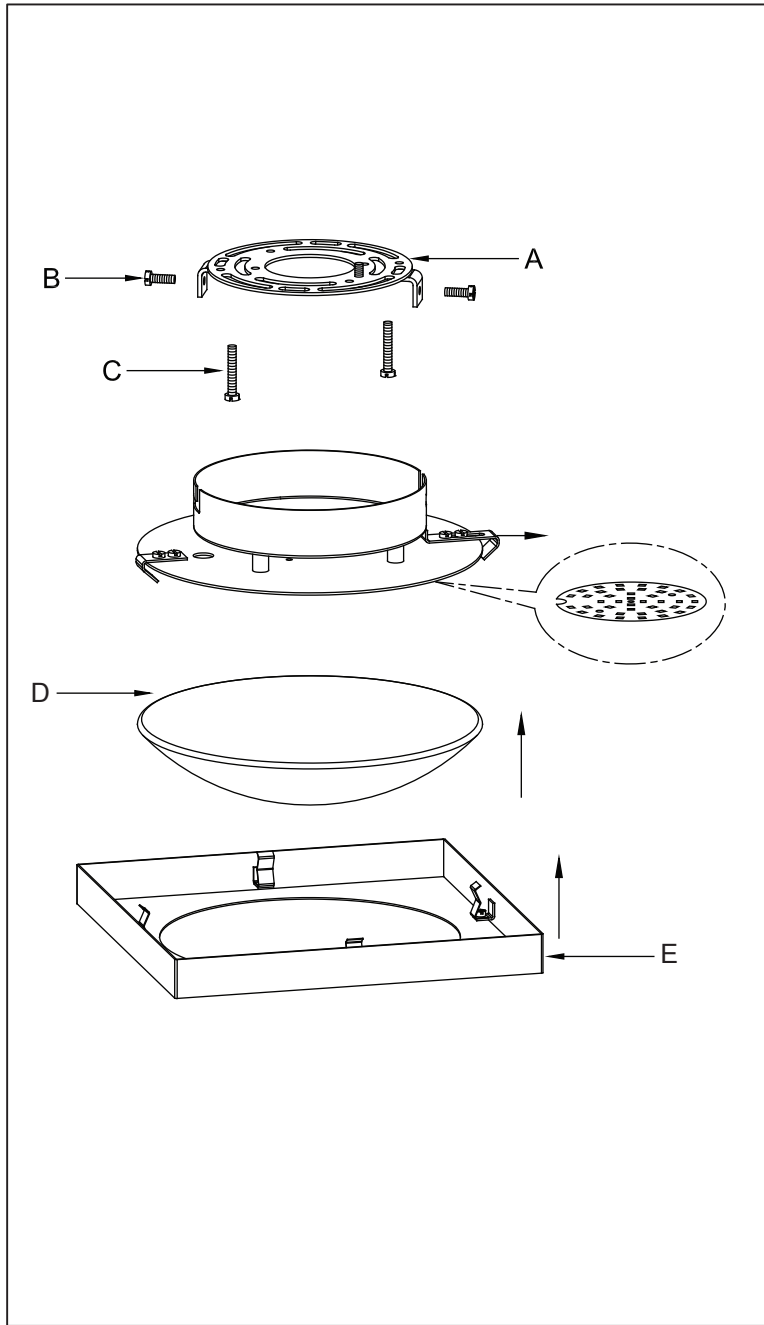
WARNING: Wires need to be connected to driver found in canopy and should not be connected directly to power source or a short may occur.

Bulb (included): 1xLED 5W

IMPORTANT: Turn off the power at the main fuse or circuit breaker box before starting installation

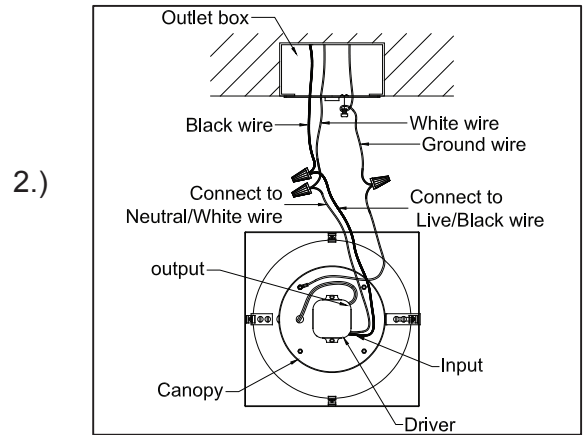


Locate all hardware & components before discarding packaging



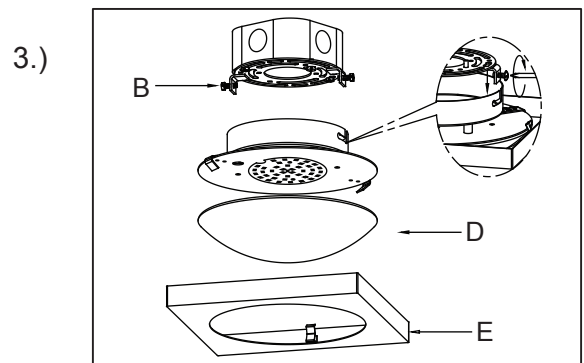
1.)

Step1: Remove mounting bracket from fixture and install to electrical box.



2.)

Step2: Wire fixture to wires in outlet box. Copper wire is for Ground.



3.)

Step3: Attach canopy to mounting bracket .

Cleaning & Care:
Clean with soft cloth and a mild detergent.
Do not use abrasive cleaner.